

## Globe valve type WA3

with limit switch

### Application and function

Used as shutoff valve on pipes e.g. between steam boiler and water level limiter. Shutoff valve with one or two limit switches for signalling of "opened" (switch A) and/or "closed" (switch B) position.

### Technical basic equipment

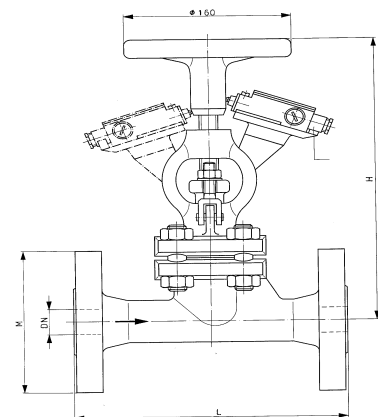
- Process connection flange as per DIN
- Valve (housing etc) made of heat-resistant carbon steel
- Valve inner parts stainless steel
- Handwheel aluminium
- Limit switch company: Steute, housing aluminium, cable gland M16 x 1,5

### Available (optional) versions

- Other process connection as per DIN or ANSI on request
- Welding end and socket welding on request

### Technical data

Allowable pressure	PS [bar]	10	32	50	80	100
Allowable temperature	TS [° C]	195	239	265	296	312

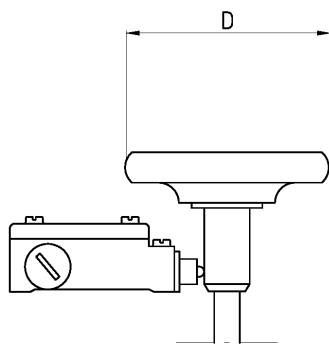
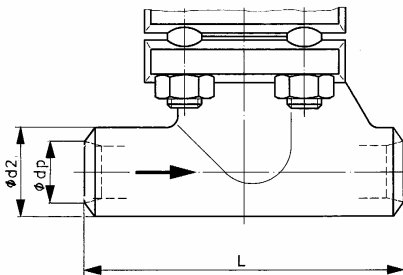
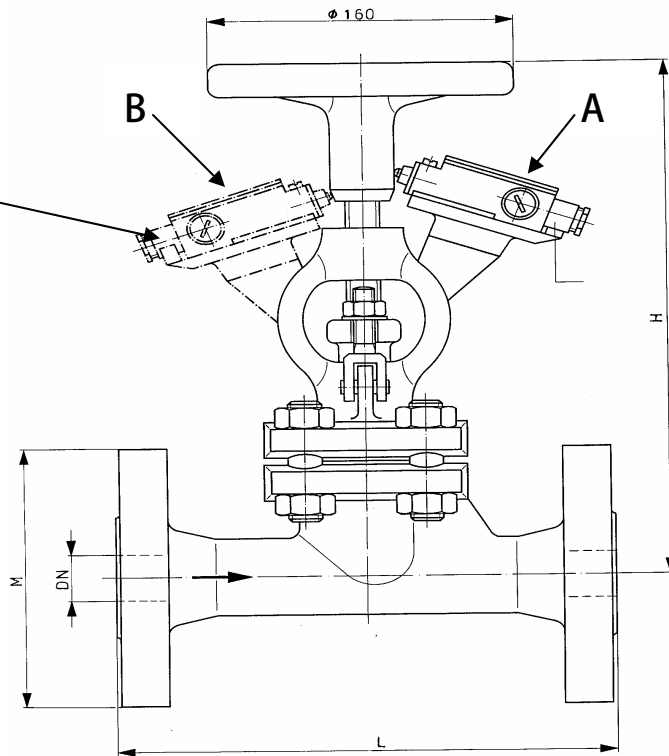


Installation information: Valve spindle must be in horizontale position  
Arrow on valve body (housing) must point towards

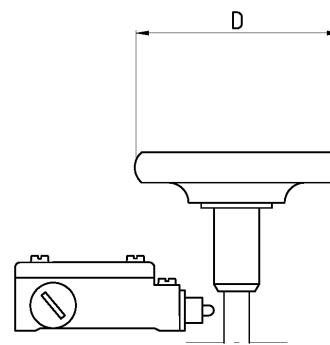
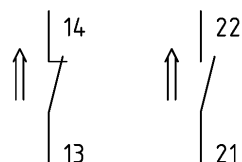
PS [bar]	Dimension M		Contact face Form	Dimension [mm]		PS [bar]	Welding end			Dimension [mm]			
	DN	DIN		DIN	L		H	DN	DIN	ø d1	ø d2	ø d3	L
32	20	2635	2526-C	150	260	32	20	25	22	28	26,9	150	260
				160					28,5	34	33,7		
80	25	2637	2526-E	230	320	80	25	27				320	
100		2638											



EM 41 1 breaker / 1 maker  
 41.1.01.9.04  
 400 V / 6 A AC-15  
 IEC 947-5-1  
 IP 65  
 2N5 CE



Valve closed /  
 switch actuated



Valve opened /  
 switch not actuated

